

# GB

## Assembly and operating instructions

Partial storage heating with Smart Control Thermostat DSM 2.0



### Models

- **TT-KS S**
- **TT-KS S LT**
- **TT-KS N**
- **TT-KS H**



Please note and keep in a safe place!

Subject to change without notice!

ID.: MAG-000104

Issue:05/26

## 1. General information on our electric partial storage heaters

With the wide range of electric partial storage heater types we offer, all spatial requirements can be easily mastered. The electric partial storage heaters can be used as full, auxiliary or transitional heating for all rooms in the living area with the exception of the special features listed in the safety instructions. They are designed for continuous operation. All our products undergo extensive functional, safety and quality testing before despatch. We guarantee a design that complies with current international, European and German safety regulations. The production of the heaters is permanently monitored by a state-accredited testing centre. This appliance can be used by children aged from 8 years and above and persons with reduced physical, sensory or mental capabilities or lack of experience and knowledge if they have been given supervision or instruction concerning use of the appliance in a safe way and understand the hazards involved.

Children must not play with the appliance. Cleaning and user maintenance must not be carried out by children without supervision. These supervisors are subject to a special duty of care when using radiant heaters. Children under the age of 3 must be kept away unless they are constantly supervised. Children over the age of 3 and under the age of 8 may only switch the appliance on and off if they are supervised or have been instructed in the safe use of the appliance and have understood the resulting dangers, provided that the appliance is placed or installed in its normal position of use. Children aged 3 years and younger than 8 years must not insert the plug into the socket, regulate the appliance, clean the appliance and/or carry out user maintenance.

**Caution: Some parts of the product can become very hot and cause burns. Special care must be taken when children and vulnerable persons are present.**

## 2. Important notes

### 2.1 Safety

- The installation may only be carried out in compliance with the applicable regulations in accordance with DIN VDE 0100.
- Please be sure to observe our warning notice „Do not cover the heater!“ and do not place any flammable objects on or near the heater!
- The appliances must not be operated in rooms where there is a risk of fire or explosion due to dust, gases or vapours. Avoid a humid environment!
- When connecting to a socket outlet, this may only be a socket outlet with earthing contact installed by a qualified electrician, as these are devices of protection class I (do not install the heater directly in front of or under a wall socket outlet).
- If the mains connection cable of this appliance is damaged, it must be replaced by the manufacturer or its service centre or a similarly qualified person in order to avoid hazards.
- In the case of a fixed connection, an all-pole isolating device with a contact opening width of at least 3 mm must be installed in the circuit.
- The heater must be installed in a bathroom in such a way that the heating element cannot be touched by a person in the bath or shower. This instruction must also be followed for room thermostats.
- The special regulations must be observed for installation in damp rooms!
- When using multiple sockets, observe the maximum permissible current, otherwise there is a risk of fire. Ensure that extension cables have a sufficient conductor cross-section, otherwise there is a risk of fire. Do not operate the appliances with coiled cable drums! There is a risk of fire due to overheating of the cable reel.
- If the heater is damaged or malfunctions, disconnect it from the power supply. Please inform our service department immediately.
- Due to possible fire hazards, the following safety distances must be observed during installation:

From the each side wall of the heater to any masonry:		5 cm
From the each side wall of the heater to flammable materials:		10 cm
Distance from the heater to the floor:		8 cm
Distance from the upper edge of the heater to the building component or covers above it (e.g. window sill):	flammable	15 cm
	non-flammable	10 cm

- Ensure that the mains cable cannot be run over and is not in contact with the appliance.
- Failure to observe the instructions can result in serious damage to property and personal injury (death/injury).



To prevent the appliance from overheating, it must not be covered.



These products must not be disposed of with normal household waste in order to enable recycling. Only dispose of this device at the designated collection points or contact the relevant authorities.

### Bathroom radiator

- The operation of electrical appliances in rooms with baths or showers is subject to far more stringent legal regulations than in dry rooms. In addition to the above-mentioned DIN VDE 0100 regulation, DIN VDE 0100-701 must also be complied with. The installation of a bathroom radiator manufactured by us may only be carried out by an authorised electrician. All instructions listed under 2.1 must be observed in full. Exception: Our bathroom radiators are additionally protected against expected exposure to moisture.
- Due to possible fire hazards, a safety distance of 40 cm from the ceiling or a console above must be maintained during installation. What to do in the event of a fault? If the appliance does not heat or does not heat sufficiently, first check that the power supply is correct (appliance plug, if present, and mains fuse). If this is not successful, disconnect the appliance from the power supply and inform our service centre. Interventions and repairs may only be carried out by authorised persons.

## 2.2 Ecodesign requirements

### Smart Control Thermostat DSM 2.0 series

This product is factory-equipped with an eco-design-compliant controller. Only the commissioning requirements (see below) need to be met.

## 2.3 Commissioning

### Series with Smart Control Thermostat DSM 2.0

The „Open window detection“ control function is switched on at the factory. This function must remain switched on during commissioning! Further control functions, such as „adaptive control of the start of heating“, are described in the „Smart thermostat“ operating instructions for the DSM series.

To download the app, please scan the QR code:



SCAN ME

Series	Power [Watt]	Dimensions [cm]	Distances of the U-rails [cm]	Special feature
TT-KS 500 S	500	38 x 63 x 7	20	
TT-KS 600 S	600	38 x 63 x 7	20	
TT-KS 1000 S	1000	68 x 63 x 7	50	
TT-KS 1200 S	1200	68 x 63 x 7	50	
TT-KS 1500 S	1500	98 x 63 x 7	80	
TT-KS 1800 S	1800	98 x 63 x 7	80	
TT-KS 2000 S	2000	128 x 63 x 7	110	
TT-KS 2400 S	2400	128 x 63 x 7	110	
TT-KS 2800 S	2800	158 x 63 x 7	140	
TT-KS 700 S LT*	700	68 x 63 x 7	50	60°C
TT-KS 1200 S LT*	1200	98 x 63 x 7	80	60°C
TT-KS 1500 S LT*	1500	128 x 63 x 7	110	60°C
TT-KS 1800 S LT*	1800	158 x 63 x 7	140	60°C
TT-KS 500 S X4	500	38 x 63 x 7	20	IP24
TT-KS 1000 S X4	1000	68 x 63 x 7	50	IP24
TT-KS 1200 S X4	1200	68 x 63 x 7	50	IP24
TT-KS 1500 S X4	1500	98 x 63 x 7	80	IP24
TT-KS 800 N	800	68 x 34 x 7	50	
TT-KS 1200 N	1200	98 x 34 x 7	80	
TT-KS 1600 N	1600	128 x 34 x 7	110	
TT-KS 2000 N	2000	158 x 34 x 7	140	
TT-KS 800 N X4	800	68 x 34 x 7	50	IP24
TT-KS 1200 N X4	1200	98 x 34 x 7	80	IP24
TT-KS 1200 H	1200	38 x 124 x 7	20	
TT-KS 1800 H	1800	55 x 124 x 7	37	
TT-KS 2200 H	2200	68 x 124 x 7	50	
TT-KS 1200 H X4	1200	38 x 124 x 7	20	IP24
HR 1200 KSB	1200	38 x 124 x 7	20	IP24

S = Standard | LT = 60°C Surface temperature | H = high | X4 = IP24  
N = low | X4 = Splash water protection | KSB= Bathroom heating

## 3. Technical data

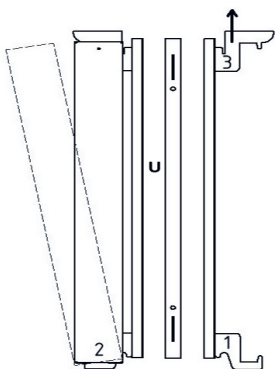
The following applies to all partial storage heaters:

- Mains voltage: 1/N/PE ~ 230V 50 Hz
- min. protection class: I
- Protection class: IP20

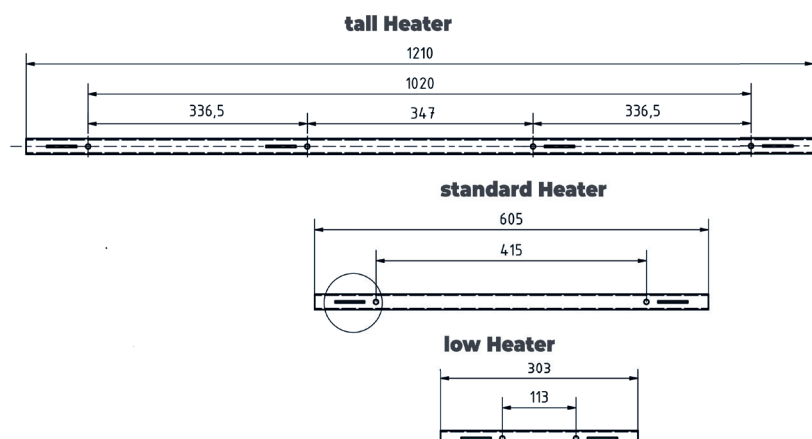
## 4. Assembly instructions

Please observe the safety instructions on pages 2 and 3!

1. The preferred installation location for our electric partial storage heaters should be under a window or on the outside wall of a room (please observe the minimum distances specified on page 3).
2. The respective mounting and fastening elements are included in the scope of delivery.
3. Remove the packaging and make sure that no packaging residue sticks to the heater!
4. Drill the necessary holes ( $\varnothing$  8 mm, depth 45 mm) with the appropriate drilling distances according to the „Technical data“ (see page 4) table.
5. Mount the U-rails vertical on the wall!
6. Hook the two lower suspension hooks (1) into the slots in the U-rails.
7. Hang the heater (2) and hold it at an angle to the front.
8. Insert the two upper suspension hooks (3) and pull them up.
9. Position the heater (2) vertically.
10. Press the upper hooks (3) downwards.
11. Place the heater cover on top of the heater



### Dimensions of the U-rails



## 5. Information required in accordance with Regulation 2024/1103

Contact details:				TECHNOTHERM - a brand of Lucht LHZ Elektroheizung GmbH & Co. KG   Reinhard-Schmidt-Str. 1   09217 Burgstädt	
Model identifiers: TT-KS (DSM 2.0 series)					
Specification	Symbol	Value	Unit	Specification	Unit
<b>Heat output</b>			<b>Type of room temperature controller (select one option)</b>		
Nominal heat output	$P_{nom}$	0,500 - 2,800	kW	Single-stage heat output, no room temperature control	no
Minimum heat output	$P_{min}$	0,500 - 2,800	kW	Two or more manual levels, no room temperature control	no
Max. continuous heat output	$P_{max,c}$	0,500 - 2,800	kW	Room thermostat with mechanical thermostat	no
<b>Power consumption</b>			With electronic room thermostat		
In the off state	$P_o$	0,50	Watt	Electronic room thermostat with time-of-day control	no
In standby mode	$P_{sm}$	0,50	Watt	Electronic room thermostat with weekly time control	yes
In idle state	$P_{idle}$	0,50	Watt	<b>Other regulatory options (multiple answers possible)</b>	
In networked standby mode	$P_{nsm}$	0,70	Watt	Room thermostat with presence detection	no
Standby status with info or status display			yes	Room thermostat with open window detection	yes
Annual space heating utilisation rate in active operation	$\eta_{s,on}$	96,0	%	Remote control option	yes
			Adaptive control of the start of heating		
			Operating time limit		
			Black ball sensor		
			Self-learning function		
			Control accuracy		



		Code of the temperature control (TC)	Control functions							
			f1	f2	f3	f4	f5	f6	f7	f8
Type of temperature control	Single-stage, no temperature control	NC								
	Two or more manually adjustable levels, no temperature control	TX								
	Room thermostat with mechanical thermostat	TM								
	Electronic room thermostat	TE								
	Electronic room thermostat with time-of-day control	TD								
	Electronic room thermostat with week-day control	TW								
Control functions	Presence detection		1							
	Detection of open windows			2						
	Remote control options				3					
	Adaptive control of the start of heating					4				
	Operating time limit						5			
	Black ball sensor							6		
	Self-learning function								7	
	Control accuracy with CA <2 Kelvin and CSD <2 Kelvin									8

## 6. Simplified EU Declaration of Conformity

TECHNOTHERM hereby declares that the partial storage heaters  
 TT-KS-500, TT-KS-600, TT-KS-1000, TT-KSM-1200, TT-KS-1500, TT-KS-1800, TT-KS-2000,  
 TT-KS-2400, TT-KS-2800, TT-KS-700LT, TT-KS-1200LT, TT-KS-1500LT, TT-KS-1800LT  
 TT-KS-800N, TT-KS-1200N, TT-KS-1600N, TT-KS-2000N  
 TT-KS-800X4, TT-KS-1200X4  
 TT-KS-1200H, TT-KS-1800H, TT-KS-2200H  
 TT-KS-1200HX4, TT-KS-1200KSB

comply with Directive 2014/53/EU.

The full text of the EU Declaration of Conformity is available at the following Internet address:  
<https://www.technotherm.de/eu-konformitaetserklaerung>.

## 7. Video instructions for assembly

Unpacking the heater



Fitting the cover  
cap spacer



Mounting the feet



Instructions for  
wall mounting



Mounting the castors



Position the temperature  
sensor correctly

