

# Installation and technical manual

Q 1201



2



3

**GB**



# Q 1201

THESE INSTRUCTIONS SHOULD BE READ CAREFULLY AND RETAINED FOR FUTURE REFERENCE.

BE SURE TO OBSERVE ALL LABELS AND WARNINGS ON THE APPLIANCE.

Edition:02/14

Id\_Nr. 911 360 780

## 1. Safety Information

Please pay your attention to the following points before using the quartz heater. These instructions for use belong to the appliance and must be kept in a safe place. When changing owners, these instructions must be surrendered to the new owner!

**Before you use the device pay attention to following:**

- The appliance must only be used as described in the instructions for use.
- Use for any other purpose is inadmissible! Any damage attributed to incorrect operation, improper use or non-observance of the safety information will invalidate all liability and the warranty!
- Please read the operating instruction carefully before using the heater, and keep them for future consultation.
- Never use the appliance as a heater for a baby or nappy changing table.
- Before connecting the appliance check that the voltage indicated on the rating label corresponds to the mains voltage in your home.
- To ensure a proper installation, the installation must be carried out by a skilled worker.
- **Never touch live parts! Danger to life!**
- The quartz heater must be fixed at the wall in horizontal position. The device may not be fixed on walls of plastic, synthetic material or other easily flammable materials as for example wood, panels, paper or similar. By disregard it can come to the fire risk!
- Keep away the heater from combustible materials such as curtains, carpets, plastics etc. and keep to distance of at least 150 cm between front grid and flammable subjects in the radiation area.
- **Never use the heater without supervision!**
- This heater must be installed so that switches and other control elements cannot be touched by persons who are in the bath, shower, or any other water-filled receptacle.
- Pull-switch only by vertical pulling downwards operates.
- **The heater warms itself up during longer operation strongly – therefore front-grid and quartz-tubes does not touch.**
- Pay attention that the heater is also hot on cut-out still some time.
- **Important!** Do not insert any foreign objects into the appliance openings or do not insert any objects into the heater!
- **Risk of injury** (electric shock) and damage to the appliance! Never place any objects between appliance and wall.
- In order to avoid overheating do not cover the heater with clothing, towels or similar to be dried.

### Overheating and fire hazard!

- Do not use the heater in areas or rooms which are a risk of fire, such as garages, stables, wooden shed etc.
- Do not use the appliance in flammable atmospheres (e.g. in the vicinity of combustible gases or sprays cans)!

### Explosion and fire hazard!

- **Important!** Do not insert any foreign objects into the appliance openings or do not insert any objects into the heater! **Risk of injury** (electric shock) and damage to the appliance! Never place any objects between appliance and wall.
- In order to avoid overheating do not cover the heater with clothing, towels or similar to be dried.
- Do not use the heater in industrial use areas.
- Do not use the heater in rooms with explosive gas (e. g. petrol) or while using inflammable glue or solvent (e. g. when gluing or varnishing parquet floors, PVC etc.) Do not allow aerosols, inflammable substances or materials sensitive to heat to be in the flow of hot air.
- Safety distances according to VDE 0100, part 701 and the regulations of the regional utilities and the minimum distances according to Fig. 1 are to keep.

- **IMPORTANT:** This heater is strictly being designed for a rigid connection and not for a flexible cable connection.

The equipment is designed to have a fixed connection with a rigid cable, e.g. a buried wiring.

- The heater only connect on compact installed lines at least 1,0 mm<sup>2</sup> (because there is no strain relief).
- The heater must be installed at least 1,80m above the floor (s. Fig. 1).

- After installation the device at no place may touch the connecting lead.
- Do not place the connection cable or pull switch on or around the hot heater.
- The heater must not be located immediately below a socket-outlet.
- Install the appliance out of the reach of children.
- Do not use the heater outdoors.
- The appliance is not suitable for animal breeding purposes.
- Do not use the heater if the connection lead or the heater is damaged or the heater is faulty.
- Please contact for repair or replacement of a part an approved and authorized service. Repairs may be executed only by authorized specialized or by our customer service. Improper repairs can expose the user to considerable danger!
- The appliance is not intended for use by young children or infirm persons without supervision!
- This appliance can be used by children aged from 8 years and above and persons with reduced physical, sensory or mental capabilities or lack of experience and knowledge if they have been given supervision or instruction concerning use of the appliance in a safe way and understand the hazards involved. **Children shall not play with the appliance.** Cleaning and user maintenance shall not be made by children without supervision.
- Children of less than 3 years should be kept away unless continuously supervised.
- Children aged from 3 years and less than 8 years shall only switch on/off the appliance provided that it has been placed or installed in its intended normal operating position and they have been given supervision or instruction concerning use of the appliance in a safe way and understand the hazards involved. Children aged from 3 years and less than 8 years shall not plug in, regulate and clean the appliance or perform user maintenance.
- **CAUTION — some parts of this product can become very hot and cause burns. Particular attention has to be given where children and vulnerable people are present.**
- **WARNING:** This heater is not equipped with a device to control the room temperature. Do not use this heater in small rooms when they are occupied by persons not capable of leaving the room on their own, unless constant supervision is provided.

## 2. Electrical Connections:

The both, as a transportation protection in the front grid put the parts of styrofoam, remove. The quartz heater must be installed only in a horizontal position on the wall. Do not install on the ceiling or vertically or on wall sockets. Do not use the heater when it is in uneven position. During installation respect the minimum distances indicated in Fig. 1. To be able to fasten the quartz heater to the wall, both lateral clamping screws must be loosened for the swivelling hinges something (Fig. 2). Loose the both screws to remove the console-cover. Now you can enlarge the angle of traverse and tip the quartz heater forwards.

Taking into account the fewest distances (Fig. 1) marks the bores for the dowels. Distance of the bores 260 mm and insert the dowels (Fig. 3). Fix now the quartz heater with the dowel screws at the wall. Use the enclosed cable-coupling and plug in following way: Put the cable-coupling in the circular console hole at the side of the connection. Put the plug in the other circular console hole. Fix the cable in the connection-terminal. You must fit a separate device at last at 3mm range for each terminal.

For example: switch – circuit protection – switch – protection with a recognizable coordination.

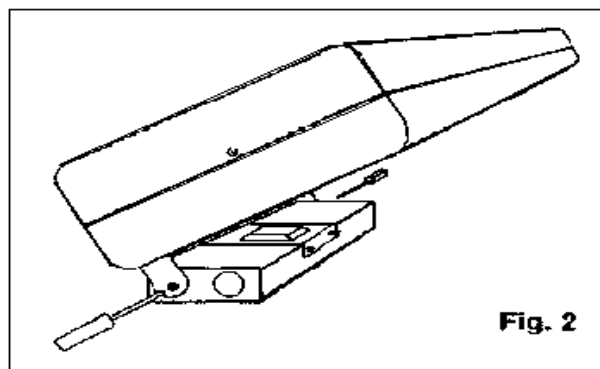
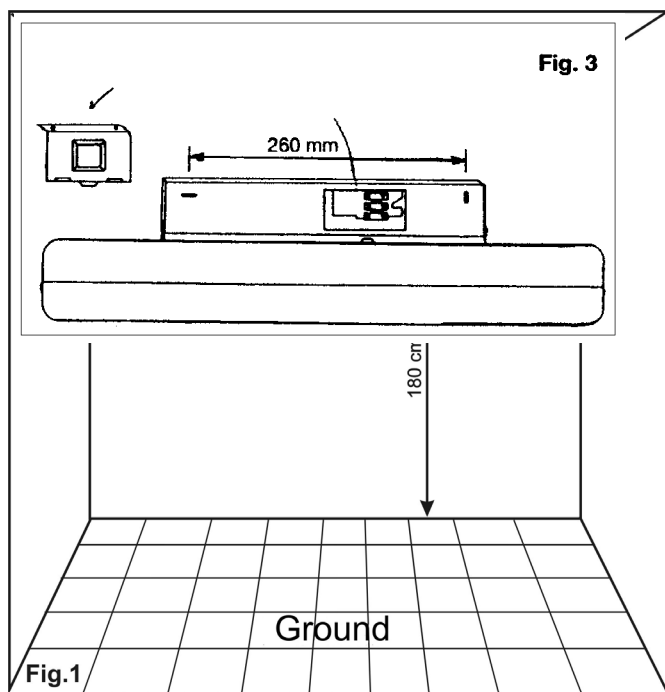
Fix the electric connection at the free cable of the connection-terminal. The connection of the protective conductor is absolutely necessary for safety reasons and must be performed correctly. Please observe the standards and conditions in your country.

**Caution:** Ensure that you do not strip too much of the power cable to prevent any wires from touching the screws.

After the heater was mounted on the wall, you can lift the heater, attach and fix the console-cover. Now the connection space is covered with it. The swivel area of the upper part is limited to approx. 30° angle. Convenient angle to the tilting put and fix the mechanism to the swivelling by tightening both screws (s. Fig. 2).

# Manual Q 1201

Now you can use the quartz heater.



### 3. Cleaning, Care and Maintenance

Before cleaning the unit should be cut from the mains power supply (pull switch to "0" is not enough) and let it cooled down.

Clean the surface only with a dry cloth. The reflector and the quartz tubes may only be cleaned by an authorised specialist.

### 4. Technical Dates:

| Type               | Q 1201        |
|--------------------|---------------|
| Rated voltage      | 230 V ~ 50 Hz |
| Rated power        | 1800 W        |
| Step to the switch | 3             |
| 0 =                | OFF           |
| 1 =                | 600 W         |
| 2 =                | 1200 W        |
| Protection class:  | 1             |
| Pivoting range:    | 30°           |



The symbol on the product or on its packaging indicates that this product may not be treated as household waste. Instead it shall be handed over to the applicable collection point for the recycling of electrical and electronic equipment. By ensuring this product is disposed of correctly, you will help prevent potential negative consequences for the environment and human health, which could otherwise be caused by inappropriate waste handling of this product. For more detailed information about recycling of this product, please contact your local authority, your household waste disposal service or the shop where you purchased the product. This symbol is only valid in the European Union.



HNOTHERM Service:

: +49 (0) 911-93 78 32 10

Lucht LHZ Elektroheizung GmbH & Co. KG  
Reinhard-Schmidt-Str.1  
D-09217 Burgstädt  
Fon: +49 (0) 3724 66869 0  
Fax: +49 (0) 3724 66869 20  
E-mail: [info@technotherm.de](mailto:info@technotherm.de)  
web: [www.technotherm.de](http://www.technotherm.de)

Edition: 04/18